

MANILEC

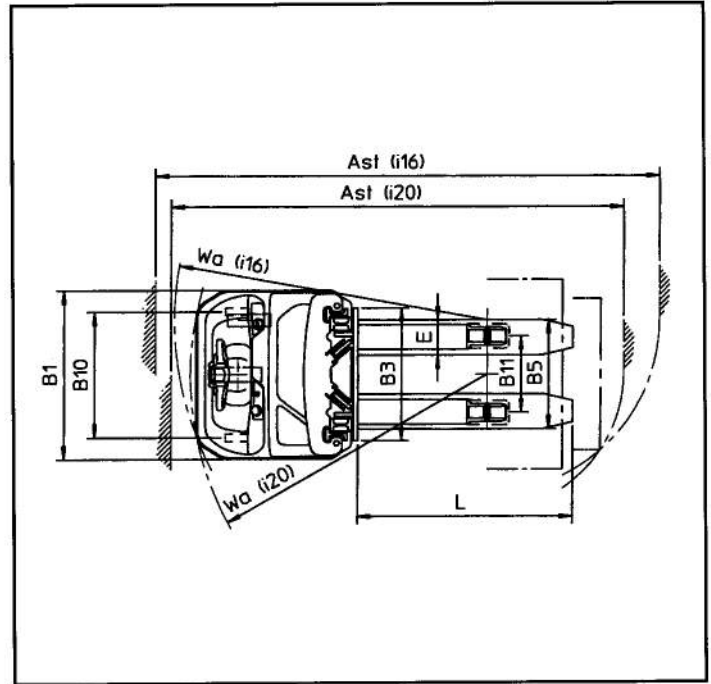
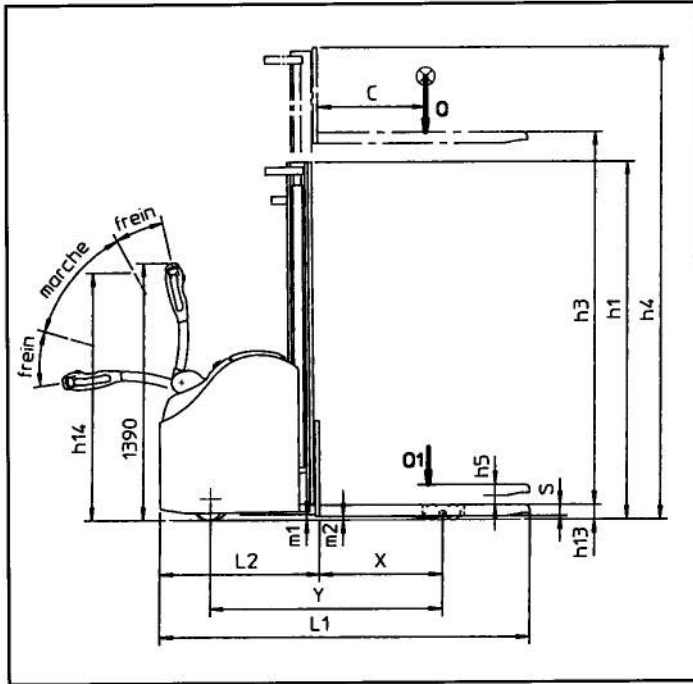
■ **ES 8 series**

Electric stacker



 **MANITOU**

ES 8 series : Electric stacker 1600 kg - 2000 kg



Mast ref. for ES 816 FR & ES 820 FR		Height of raised fork		Height of stacker with mast	
dimensions in mm		maxi h3+h13	free h2+h13	lowered h1	raised h4
Simplex	S 15	1505	1505	1940	1960
	S 17	1755	1755	2190	2210
Duplex	D 29	2935	-	1940	3395
	D 34	3835	-	2190	3895
	D 38	3835	-	2390	4295
Free lift duplex	DLL 29	2930	1505	1940	3390
	DLL 34	3430	1755	2190	3890
Triplex	T 42	4255	-	1990	4795
	T 48	4855	-	2190	5395
	T 54	5455	-	2390	5995

* Please, add 5 mm to "h3 + h13" and "h2 + h13" for ES 820 FR model

Mast ref. for ES 816 LI & ES 820 LI		Height of raised fork		Height of stacker with mast	
dimensions in mm		maxi h3+h13	free h2+h13	lowered h1	raised h4
Simplex	S 15	1510*	1510*	1955*	1965*
	S 17	1760*	1760*	2205*	2215*
Duplex	D 29	2940*	-	1955*	3400*
	D 34	3440*	-	2205*	3900*
	D 38	3840	-	2405	4300
Free lift duplex	DLL 29	2935*	1510*	1955*	3395*
	DLL 34	3435*	1760*	2205*	3895*
Triplex	T 42	4260	-	2005	4800
	T 48	4860	-	2205	5400
	T 54	5460	-	2405	6000

* Please, add 110 mm for initial lift high

