

MANILEC

STACKY 10 ac

Multi-purpose electric stacker



Adjustable forks.
To handle boxes,
container, packets.



Wrapover forks.
To handle euro pallets,
containers.



Lip container
holder.
To handle 200 kg
containers with
lip (without
container).



Fixed platform with
drawer : to level loads
or use as mobile
workbench.



Container holder. To
handle 88 liters steel
container (without
container).



Platform with roller.
To position casts or
tools on machines.



Jib with hook.
To sling various loads
with adjustable hook.*



Boom.
To handle bobins,
reels and so on.



Drum handle.
To grab and
empty Ø 350
to 650 mm
drums.



- Available with adjustable straddle legs
- 10 interchangeable tools

TOOLS : Easily interchangeable in less than 2 minutes. They cover all the current material handling operations and also many special applications.

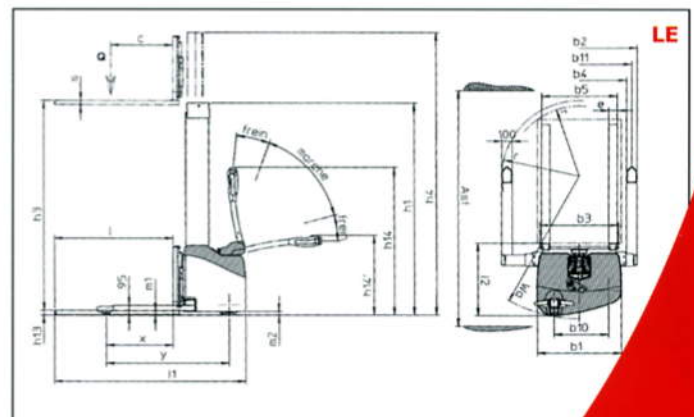
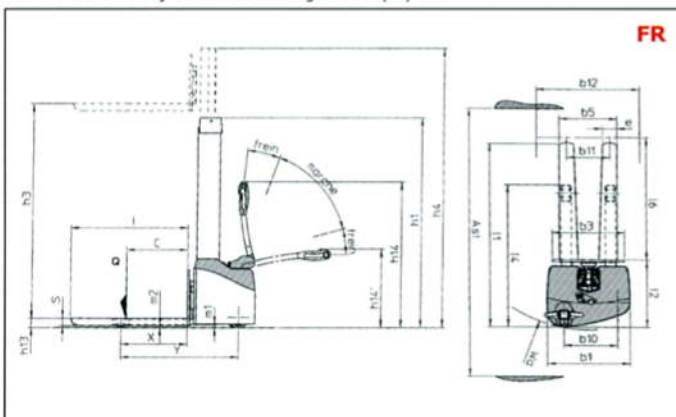
* Subject to some technical conditions contact us.



MANITOU

					MANITOU	
					SK 10 FR S16 (LE*)	SK 10 FR D28 LE*)
Designation	1.1	Manufacturer				
	1.2	Model type				
	1.3	Powered by: battery, diesel, petrol, LPG, mains electric			Battery	Battery
	1.4	Driving method: manual, walk-along, upright, seated, preparation			Pedestrian	
	1.5	Nominal capacity	Q	t	1	1
	1.6	Height to centre of gravity	C	mm	600 - 500*	600 - 500*
	1.8	Distance from fork face to track wheels (in raised pos'n)	x	mm	642 - 646*	653 - 646*
	1.9	Wheelbase (drive axle to track wheels), top/bottom position	y	mm	1160 - 1190*	1160 - 1190*
	Weights	2.1	Weight in working order		kg	500 - 626*
2.2		Axle loading when load (front/rear)		kg	-	-
2.3		Axle loading when unload (front/rear)		kg	-	-
Wheels	3.1	Tyres (front/rear)			Polyurethane	Polyurethane
	3.2	Front wheel dimensions (dia x width)		mm	1x(200x80)	1x(200x80)
	3.3	Rear wheel dimensions (dia x width)		mm	78x78	78x78
	3.4	Outrigger dimensions		mm	125x50 - 100x40*	125x50 - 100x40*
	3.5	Number of wheels front / rear (x = drive wheel)			1x1/2	1x1/2
	3.6	Track centres, front		mm	517	517
	3.7	Track centres, rear	b10	mm	421 - 1000/1380*	421 - 1000/1380*
Dimensions	4.2	Height with mast lowered	h1	mm	1990	2030
	4.3	Normal free lift	h2	mm	-	-
	4.4	Standard lift	h3	mm	1570	2740
	4.5	Height with mast raised	h4	mm	1995	3400
	4.6	Initial lift	h5	mm	-	-
	4.9	Handle height in driving position	h14	mm	1350/850	1350/850
	4.15	Fork height when lowered	h13	mm	90 ⁺⁸ - 60 ⁺⁸	90 ⁺⁸ - 60 ⁺⁸
	4.19	Overall length	l1	mm	1828 - 1847*	1817 - 1846*
	4.20	Length to front face of forks	l2	mm	678 - 711*	667 - 700*
	4.21	Overall width	b1	mm	806	806
	4.22	Fork dimensions (thick x wide x long)	s/e/l	mm	70x180/120x1150 - 80x40x950*	70x180/120x1150 - 80x40x950*
	4.24	Width of fork carriage	b3	mm	700 - 750*	700 - 750*
	4.25	Fork pitch	b5	mm	560 - 720*	560 - 720*
	4.26	Width between carrying arms (min./max.)	b4	mm	290 - 900/1280*	290 - 900/1280*
	4.31	Ground clearance under mast	m1	mm	30	30 - 35*
4.32	Ground clearance at centre of wheelbase	m2	mm	20 - 40*	20 - 40*	
4.33	Aisle width with 1000x1200 pallet widthwise (l6xb12)	AST	mm	-	-	
4.34	Aisle width with 800x1200 pallet lengthwise (b12xl6)	AST	mm	2234 - 2320*	2223 - 2310*	
4.35	Turning radius (top/bottom position)	Wa	mm	1346 - 1375*	1346 - 1375*	
Performance	5.1	Travel speed load/unload		km/h	4,2/4,5	4,2/4,5
	5.2	Lifting speed, load/unload		m/s	0,14/0,25	0,12/0,2
	5.3	Lowering speed, load/unload		m/s	0,16/0,14	0,12/0,1
	5.8	Maximum slope laden/unladen (S2 5 min)		%	3,5/5	3,5/5
	5.10	Drive brake			Electromagnetic	Electromagnetic
	5.11	Parking brake			Handle release	Handle release
Drive unit	6.1	Drive motor power (S2 60 min)		kW	0,3	0,3
	6.2	Lift motor power (S3 10%)		kW	2	2
	6.3	Battery type as per standard DIN 43531/35/36,A,B,C			Semi-traction	Semi-traction
	6.4	Battery voltage and capacity		V/Ah	24/100	24/100
	6.5	Battery weight (+ - 5%)		kg	50	50
Misc	8.1	Speed control			AC Mosfet Variator	AC Mosfet Variator
	8.4	Average sound level at driver's ears (translation)	dB	(A)	65	65

* Dimensions for adjustable straddle legs model (LE)



CE MANITOU may, without notice, improve and modify the products presented in this data sheet.