

MANILEC

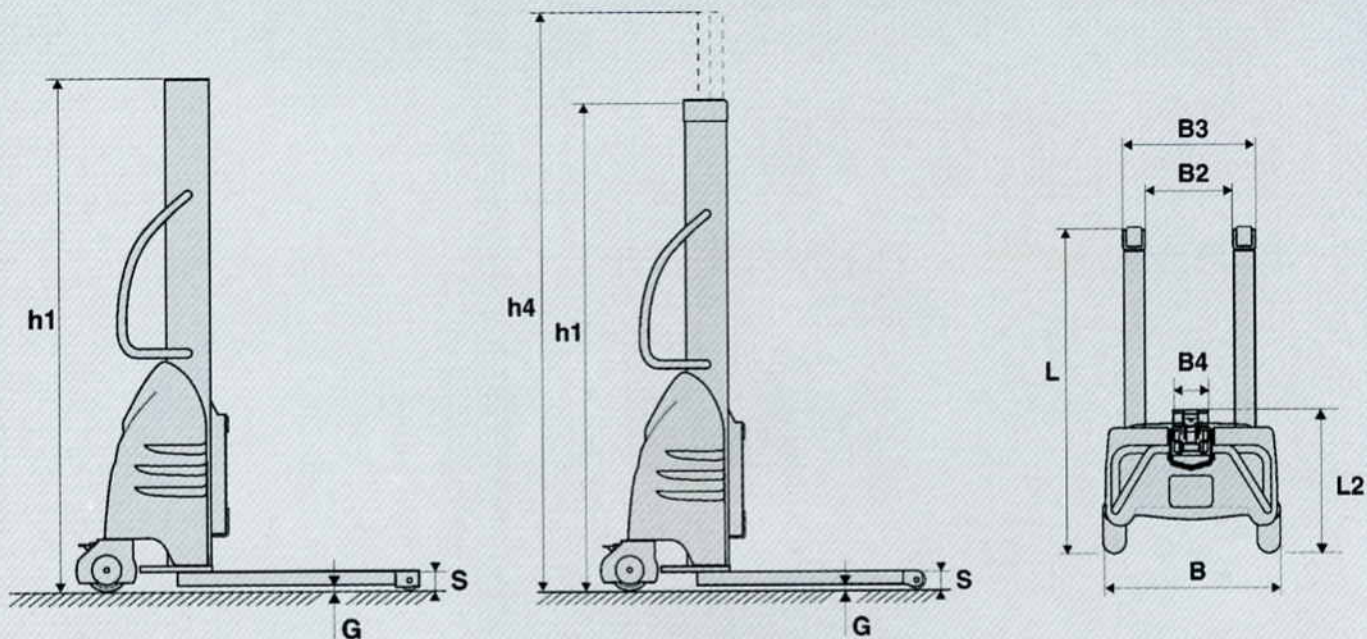
KLÉOS

**Manual and electro-manual stackers
with interchangeable tools**



MANITOU

STACKERS WITH ELECTRIC LIFT



Code		MANITOU						
Manufacturer		MANITOU						
Type		EB 250 D18	EB 250 D25	EB 500 D18	EB 500 D25	EB 1000 S16	EB 1000 D28	
Specifications								
Nominal load capacity	Q	Kg	250	500	1000			
Nominal load center		mm	Conditionned by tool					
Effective load center		Kg	Conditionned by tool					
Lifting mast								
Type of mast :			Duplex	Duplex	Duplex	Duplex	Simplex	Duplex
Overall height mast closed	h1	mm	1 585	1 815	1 600	1 950	1 990	2 025
Overall height mast extended	h4	mm	2 475	3 055	2 490	3 190	1 990	3 400
Lifting distance		mm	1 780	2 480	1 780	2 480	1 570	2 740
Supporting arms								
External width	B3	mm	529		519	520	530	
Internal width	B2	mm	351		341	300	310	
Height from ground	S	mm	75		75	75	80	
Ground clearance	G	mm	40		35	25	30	
Dimensions								
Overall length without tool	L	mm	1 032		1 300	1 330	1 450	
Overall width	B	mm	710		710	710	715	
Length up to carriage	L2	mm	571		575	570	588	
Mast width	B4	mm	155		168	188	198	
Weight								
Stacker without tool		Kg	155	170	220	240	260	365
Wheels								
Fixed rubber back wheel : Q x (Ø x L)		mm	2 (150 x 50)				2 (160 x 40)	
Swivel steel front castor : Q x (Ø x L)		mm	2 (75 x 65)			4 (75 x 65)		
Performances								
Lifting motor power	W		1 200				1 500	
12 V battery capacity	A/h		110					
Lifting speed - laden	m/mn		7,5					
Adjustable lowering speed	m/mn		10 maxi					

